

# Certifiable Mail

**RULES:** Practical Shooting Handbook, Latest Edition    **COURSE DESIGNER:** Jack Suber

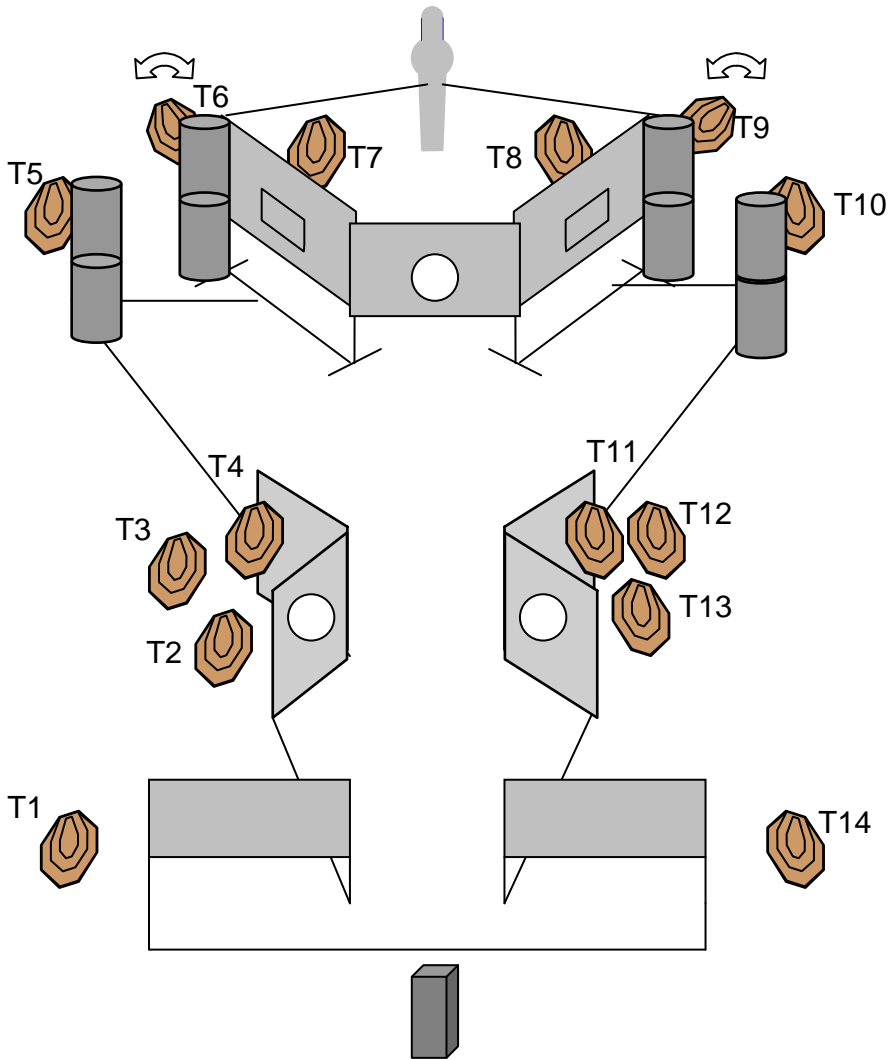
**START POSITION:** Standing at mailbox, letter in weak-hand as if dropping in mailbox, strong-hand on mailbox door. Handgun is loaded and holstered per ready condition 8.1 and 8.1.1.

### STAGE PROCEDURE

On start signal, enter shooting area and engage targets as they become available from within the confines of the shooting area. USP1 activates drop-out targets T6 and T9. T2 - T4 are only visible through Port A. T7, T8, and USP1 are only visible through Port B. T11 - T13 are only visible through port C.

### SCORING

**SCORING:** Comstock, 29 rounds, 145 points  
**TARGETS:** 14 IPSC Classic, 1 USP  
**SCORED HITS:** Best per IPSC, steel down = 1A  
**START-STOP:** Audible - Last shot  
**PENALTIES:** Procedural. -10  
 No-shoot hit. -10  
 Miss. -10



**SETUP NOTES:**

**RO NOTES:**